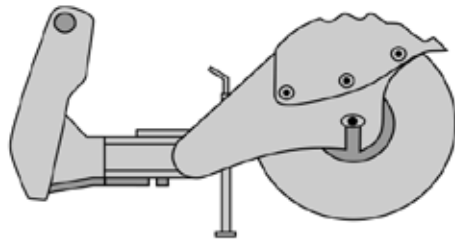


November 1, 2021
BOBCAT Retail Price Pa  **Bobcat.**

Angle Broom
Bobcat Work Machine Attachment



Quick Specs **Labor**

	<u>68"</u>	<u>84"</u>
Operating Weight.....	860 lbs.	944 lbs.
Sweep Width Straight.....	68"	84"
Sweep Width Fully Angled.....	63" @ 25°	77" @ 25°
Broom Angling.....	Hydraulic Cylinder	Hydraulic Cylinder
Oscillation.....	Fixed	Fixed
Drive System.....	Hyd. Direct Drive	Hyd. Direct Drive
Flow Range.....	15-28 GPM	15-28 GPM
Broom Bristle Diameter.....	32"	32"
Bristle Material.....	Poly Orange HD	Poly Orange HD
Number of Bristle Sections.....	36 Zig-Zag 2 Straight	44 Zig-Zag 2 Straight
Electrical.....	14 Pin Standard	14 Pin Standard

Part Number	Description	Attachment	Retail Price in US \$	Labor
(5600, 5610) (UW56, UW53)				
7337703	68" Angle Broom		\$7,313.42	\$0.00
	<small>(Work Machine must be equipped with a 7-Pin Attachment Control Kit) (A 14-Pin T-Harness Kit is required when used on work machine equipped with a 14-Pin Attachment Control Kit – See</small>			
(5600, 5600H, 5610) (UW56, UW56H, UW53)				
7337715	84" Angle Broom		\$7,965.76	\$0.00
	<small>(Work Machine must be equipped with a 7-Pin Attachment Control Kit) (A 14-Pin T-Harness Kit is required when used on work machine equipped with a 14-Pin Attachment Control Kit – See</small>			

Auger
Bobcat Work Machine Attachment



Auger Drive Unit

Quick Specs

	<u>Model 15C</u>	<u>Model 15H</u>	<u>Model 30C</u>	<u>Model 30H</u>
Ship Weight (Auger Drive).....	245 lbs.	246 lbs.	263 lbs.	257 lbs.
Ship Weight (Mtg. Frame).....	193lbs	193 lbs	193 lbs	193 lbs
Operating Weight (less bit).....	345 lbs.	358 lbs.	376 lbs.	370 lbs.
Digging Depth (without extensions).....	62"	62"	62"	62"
Torque.....	Medium	Medium	High	High
Speed.....	Medium	Medium	Low	Low
Shaft Diameter - Round.....	2.5"	-	2.5"	-
Shaft Diameter - Hex.....	2.0"	2.0"	2.0"	2.0"

Part Number	Description	Attachment	Retail Price in US \$	Labor
(5600, 5610) (UW56, UW53)				
6809442	Model 15C Auger Drive Unit		\$2,276.52	\$0.00
	<small>(Must also order Mounting Frame and Bit) (Auger drive unit is shipped with a 7/8" round bit retention pin, if used in conjunction with a hex bit a 5/8" Pin Kit P/N 6809733 is required.)</small>			
7145345	Model 15H Auger Drive Unit		\$2,276.52	\$0.00
	<small>(Must also order Mounting Frame and Bit)</small>			
(5600H, 5610) (UW56H, UW53)				
6809445	Model 30C Auger Drive Unit		\$2,975.57	\$0.00

Prices and Specifications
Subject to Change Without Notice

Work Machine Attachments
All Prices in U.S Dollars

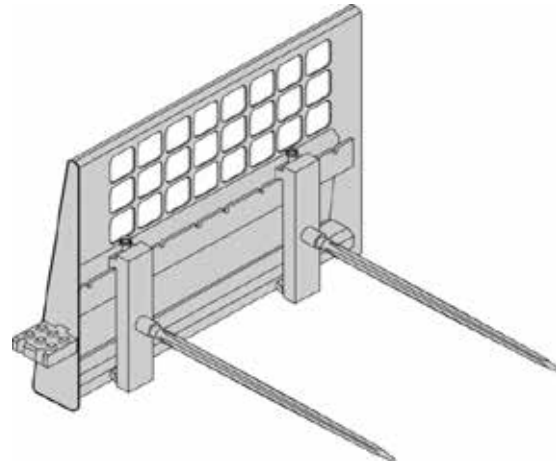
North American Suggested List Prices
2021 Price Book
Page 153 of 189

(Must also order Mounting Frame and Bit) (Auger drive unit is shipped with a 7/8" round bit retention pin, if used in conjunction with a hex bit a 5/8" Pin Kit P/N 6809733 is required.)

7138264	Model 30H Hex Shaft Auger Drive Unit (Must also order Mounting Frame and Bit)	\$2,975.57	\$0.00
---------	---	------------	--------

Dealer Installed Accessories - Order From Sales			Labor
Part Number	Description	Retail Price in US \$	in US \$
6812980	Mounting Frame (Includes Mounting Hardware)	\$619.96	\$0.00

**Bale Forks
Bobcat Work Machine Attachment**



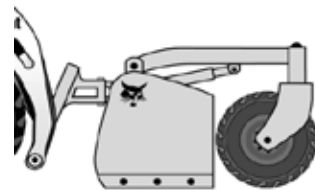
Bale Forks with Pallet Fork Frame

Quick Specs

Operating Weight..... 100 lbs
Operating Capacity..... 1,500 lbs.
Length of Fork..... 40.8"

Part Number	Description	Attachment	Retail Price in US \$	Labor
(5600, 5610) (UW56, UW53) 6815781	Bale Forks, Set of 2 (Must also order pallet fork frame p/n 6712927)		\$1,006.94	\$0.00

**Box Blade
Bobcat Work Machine Attachment**

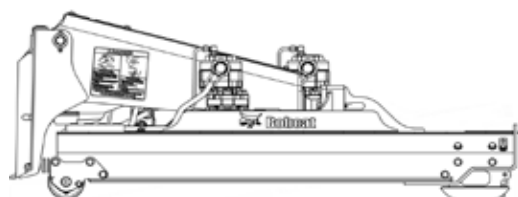


Quick Specs

Operating Weight..... 980 lbs. (445 kg)
Height..... 32.0" (813 mm)
Width..... 85.5" (2173 mm)
Moldboard Width..... 84.0" (2134 mm)
Moldboard Cutting Edge (Reversible)..... 1/2" x 6"

Part Number	Description	Attachment	Retail Price in US \$	Labor
(5600, 5610) (UW56, UW53) 6906574	84" Box Blade (Used for rough grading and landscaping)		\$5,479.36	\$0.00

**Brushcat™ Rotary Cutter
Bobcat Work Machine Attachment**

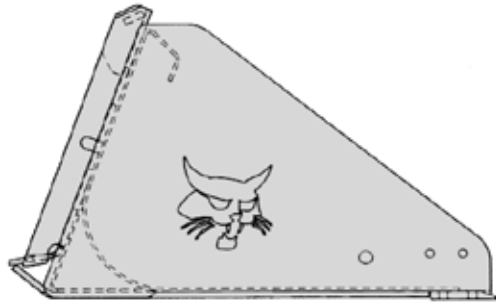


Quick Specs

	<u>RC66</u>	<u>RC66HF</u>	<u>RC72</u>	<u>RC72HF</u>
Operating Weight.....	1437 lbs	1437 lbs	1500 lbs	1500 lbs
Hydraulic Flow Range.....	15-24 gpm	24-36 gpm	15-26 gpm	24-40 gpm
Blade Tip Speed (Minimum Flow / ft./min).....	11,399	11,394	9,922	9,922
Blade Tip Speed (Maximum Flow / ft./min).....	18,238	17,064	17,197	16,536
Cutting Width.....	66"	66"	72"	72"
Cutting Height.....	3"	3"	3"	3"
Deck Length.....	61.1"	61.1"	64.3"	64.3"
Vertical Travel.....	8"	8"	8"	8"
Overall Width.....	70.3"	70.3"	76.3"	76.3"
Overall Height.....	26.5"	26.5"	26.5"	26.5"
Overall Length.....	67.2"	67.2"	70.4"	70.4"
Cutting Capacity.....	Brush material up to 3 in. in diameter for all models			

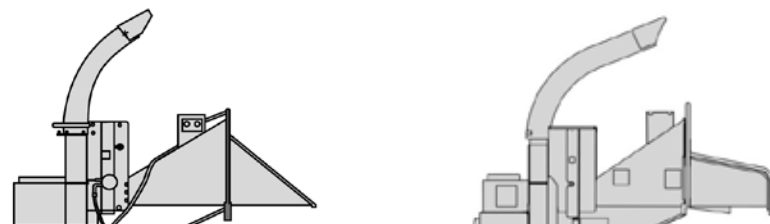
Part Number	Description	Attachment	Retail Price in US \$	Labor
(5600, 5610) (UW56, UW53)				
7234049	RC66 Brushcat Rotary Cutter.....		\$8,337.59	\$0.00
	(Not approved for A-Series or B-Series) (Approved for use with 5600 s/n A00211001 & above, 5600 s/n A00311001 & above, 5600 s/n A0W111001 & above, 5600 s/n A94Y11001 & above, 5610 A7Y711001 & above and 5610 APFB11001 & above, 5610 B2LH11001 & above) (Comes with 3" Offset Blades and Front Discs) (Cutting height of 3")			
7218087	RC72 Brushcat Rotary Cutter.....		\$8,757.24	\$0.00
	(Not approved for A-Series or B-Series) (Approved for use with 5600 s/n A00211001 & above, 5600 s/n A00311001 & above, 5600 s/n A0W111001 & above, 5600 s/n A94Y11001 & above, 5610 A7Y711001 & above and 5610 APFB11001 & above, 5610 B2LH11001 & above) (Comes with 3" Offset Blades and Front Discs Assembled) (Cutting height of 3")			
(5600H, 5610) (UW56H, UW53)				
7233014	RC66HF Brushcat Rotary Cutter.....		\$9,220.31	\$0.00
	(Not approved for A-Series or B-Series) (Approved for use with 5600 s/n A00311001 & above, 5600 s/n A0W111001, & above, 5600 s/n A94Y11001 & above, 5610 A7Y711001 & above and 5610 APFB11001 & above, 5610 B2LH11001 & above) (Comes with 3" Offset Blades and Front Discs) (Cutting height of 3")			
7233002	RC72HF Brushcat Rotary Cutter.....		\$9,456.22	\$0.00
	(Not approved for A-Series or B-Series) (Approved for use with 5600 s/n A00311001 & above, 5600 s/n A0W111001, & above, 5600 s/n A94Y11001 & above, 5610 A7Y711001 & above and 5610 APFB11001 & above, 5610 B2LH11001 & above) (Comes with 3" Offset Blades and Front Discs) (Cutting height of 3")			

**Bucket
Bobcat Work Machine Attachment**



Backhoe Buckets - Order From Sales							Labor
Part Number	Description	SAE Capacity (FT ³)		Ship WGT. (lbs.)	Retail Price in US \$		Retail Price in US \$
		Struck	Heaped				
(5600, 5610) (UW56, UW53)							\$0.00
Standard Duty							
7272771	68" Standard Duty Bucket.....	9.8	13.3	354	\$1,107.28		\$0.00
7272768	74" Standard Duty Bucket.....	10.7	14.5	373	\$1,177.82		\$0.00
Heavy Duty							
7272678	62" Heavy Duty Bucket	11.3	15.3	476	\$1,413.04		\$0.00
	(62" HD Bucket will not cover width of ToolCat equipped with Wide Tires (64"))						
7272679	68" Heavy Duty Bucket	12.4	16.9	508	\$1,558.84		\$0.00
Light Material							
7279100	68" Light Material Bucket.....	19.1	24.9	589	\$1,782.13		\$0.00
7279101	74" Light Material Bucket.....	20.8	27.3	632	\$1,884.96		\$0.00
7279102	80" Light Material Bucket.....	22.5	29.7	669	\$2,066.53		\$0.00

**Chipper
Bobcat Work Machine Attachment**





5A Chipper



8B Chipper

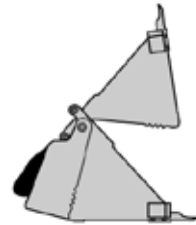
Quick Specs

	<u>5A</u>	<u>8B</u>
Operating Weight.....	1145 lbs	1660 lbs
Feeder Opening.....	5"	9.2"
Continuous Chipping Size.....	Up to 3" diameter material	Up to 5" diameter material
Feed Table Height.....	23.5"	25.4"
Discharge Chute Height.....	92"	93.3"
Blades.....	4 reversible tool steel blades	4 reversible tool steel blades
Dual Mounting Locations.....	Front or right side of loader	Front or right side of loader
Discharge Chute (Incl. End Deflector).....	Rotates 360°	Rotates 360°

Both chippers have automatic hydraulic feed, which includes speed control and load sensing system.

Part Number	Description	Attachment	Retail Price in US \$	Labor
(5600, 5610) (UW56, UW53) 6719129	5A Chipper (Work Machine must be equipped with a 7-Pin Attachment Control Kit) (Work Machines serial number 520512159 and below require version 27 or newer software to be installed on machine.)		\$13,869.07	\$0.00
(5600H, 5610) (UW56H, UW53) 7117662	8B Chipper (Work machine must be equipped with an 7-Pin Attachment Control Kit – See Page 1) (Approved for use with 5600 s/n 424711001 & above, 5600 s/n A0W111001 & above, 5600 s/n A94Y11001 & above, 5610 A7Y711001 & above and 5610 APFB11001 & above)		\$17,450.26	\$0.00

**Combination Bucket
Bobcat Work Machine Attachment**



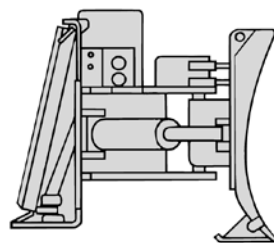
Quick Specs

	<u>62" Combo Bucket</u>
Operating Weight.....	807 lbs
Overall Width.....	62.5"
SAE Capacity Heaped.....	10.7 ft3
Number of Teeth.....	7 bolt-on
Max Clamping Force.....	8590 lbs

Part Number	Description	Attachment	Retail Price in US \$	Labor
(5600, 5610) (UW56, UW53) 7167310	62" Combination Bucket (Approved for use with 5600 s/n A00211001 & above, 5600 s/n A00311001 & above, 5600 s/n A0W111001 & above, 5600 s/n A94Y11001 & above, 5610 A7Y711001 & above and 5610 APFB11001 & above) (Bolt-on Teeth are available from Bobcat Parts)		\$4,042.16	\$0.00

Note: Combination Buckets are not approved for use with the Tilt-Tatch.

**Dozer Blade
Bobcat Work Machine Attachment**



Quick Specs

	<u>80" Dozer</u>
Operating Weight.....	950 lbs
Width.....	80"
Width (Fully Angled).....	69.3"
Blade Height.....	24.1"
Overall Height.....	24.9"
Length.....	33.0"
Oscillation.....	± 8°
Angle.....	± 30°
Cutting Edge (reversible).....	0.5" x 6"
Cylinders.....	3

Prices and Specifications
Subject to Change Without Notice

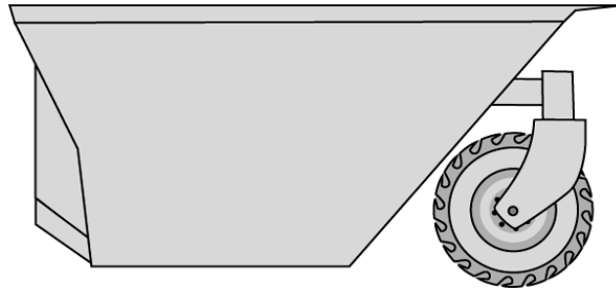
Work Machine Attachments
All Prices in U.S Dollars

North American Suggested List Prices
2021 Price Book
Page 156 of 189

Skid Shoes..... Adjustable

Part Number	Description	Attachment	Retail Price in US \$	Labor
(5600, 5610) (UW56, UW53) 6905884	80" Dozer Blade, 6-WAY..... (Work Machine must be equipped with a 7-Pin Attachment Control Kit) (A 14-Pin T-Harness Kit is required when used on work machine equipped with a 14-Pin Attachment Control Kit - See		\$6,543.75	\$0.00

Dumping Hopper
Bobcat Work Machine Attachment

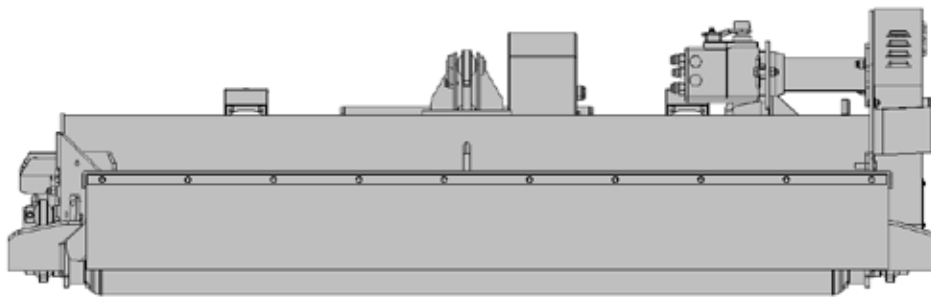


Quick Specs

	<u>Model 10</u>
Operating Weight.....	665 lbs
Height.....	40"
Length.....	83"
Width.....	36"
Capacity - Struck.....	25.7 cu. ft.
Capacity - Heaped.....	29.7 cu. ft.

Part Number	Description	Attachment	Retail Price in US \$	Labor
(5600, 5610) (UW56, UW53) 6727275	Model 10 Dumping Hopper..... (Approved for use with 5600 s/n A00211001 & above, 5600 s/n A00311001 & above, 5600 s/n A0W111001 & above, 5600 s/n A94Y11001 & above, 5610 A7Y711001 & above and 5610 APFB11001 & above) (Must also order mounting frame bracket p/n 6729483) (Includes 8.5 x 12 Bobcat Heavy Duty Tire. Tire is not installed on Dumping Hopper.)		\$4,021.44	\$0.00

Flail Cutter
Bobcat Work Machine Attachment

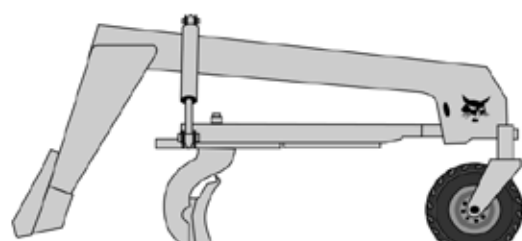


Quick Specs

Operating Weight.....	1,640 lbs
Cutting Width.....	78"
Cutting Height.....	1.5" - 3"
Overall Width.....	91"
Flow.....	17 - 40 gpm
Hammers.....	21
Cutting Capacity.....	Brush material up to 3" in diameter
Blade Tip Speed.....	8200 ft./min. @ 2000 RPM 9000 ft./min. @ 2200 RPM

Part Number	Description	Attachment	Retail Price in US \$	Labor
(5600, 5600H, 5610) (UW56, UW56H, UW53) 7101894	FC200 Flail Cutter.....		\$16,209.81	\$0.00

Grader
Bobcat Work Machine Attachment

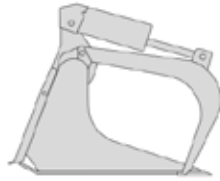


Quick Specs

	<u>84" Grader</u>
Operating Weight.....	1375 lbs
Width of Moldboard.....	84"
Width of Moldboard Fully Angled.....	76.1"
Moldboard Angle (Right or Left).....	± 25°
Blade Offset (Right or Left).....	± 12"(manual)
Bolster Oscillation.....	± 25°
Grader Control Valve.....	3 spool electric solenoid control
Moldboard Cutting Edge (reversible).....	½" x 6"
Cylinders.....	3

Part Number	Description	Attachment	Retail Price in US \$	Labor
(5600, 5610) (UW56, UW53) 6906480	Grader, 84"		\$12,228.57	\$0.00
<small>(Work Machine must be equipped with a 7-Pin Attachment Control Kit) (A 14-Pin T-Harness Kit is required when used on work machine equipped with a 14-Pin Attachment Control Kit – See</small>				

**Grapple, Industrial
Bobcat Work Machine Attachment**



Industrial Bucket Grapple



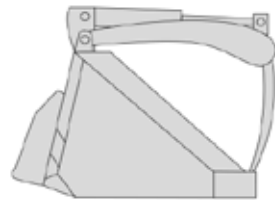
Industrial Fork Grapple

Quick Specs

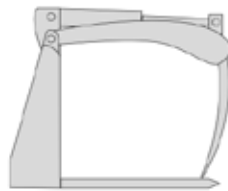
	<u>62" Bkt.</u>	<u>68" Bkt.</u>	<u>66" Fork</u>
Operating Weight.....	884 lbs	922 lbs	937 lbs
Grapple Width.....	62"	68"	66.9"
# of Teeth - Factory.....	N/A	N/A	7
# of Teeth - Possible.....	N/A	N/A	13

Part Number	Description	Attachment	Retail Price in US \$	Labor
(5600, 5610) (UW56, UW53) 7168342	62" Industrial Bucket Grapple		\$4,338.96	\$0.00
<small>(Bolt-On Cutting Edge included)</small>				
7168340	68" Industrial Bucket Grapple		\$4,511.82	\$0.00
<small>(Bolt-On Cutting Edge included)</small>				
7168344	66" Industrial Fork Grapple, with 7 teeth		\$5,212.97	\$0.00

**Grapple, Utility
Bobcat Work Machine Attachment**



Utility Grapple with Bucket



Utility Grapple with Forks

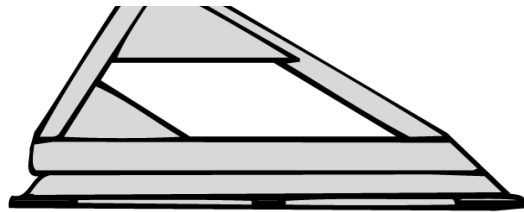
Quick Specs

	<u>55" Utility - C/I</u>	<u>55" Utility - GP</u>
Operating Weight.....	243 lbs	180 lbs
Grapple Width.....	55"	55"
# of Tines - Factory.....	4	4
# of Tines - Possible.....	8	8

Part Number	Description	Attachment	Retail Price in US \$	Labor
(5600, 5610) (UW56, UW53) 7176977	Grapple, 55" Utility – C/I		\$2,048.23	\$270.00
<small>(Fits 60 – 72" Utility Forks)</small>				
7176783	Grapple, 55" Utility - GP		\$2,022.13	\$270.00
<small>(Fits 62", 68" and 74" General Purpose buckets) (Must also order Grapple stop kit, p/n 7120201 or 6818369)</small>				

**Landplane
Bobcat Work Machine Attachment**



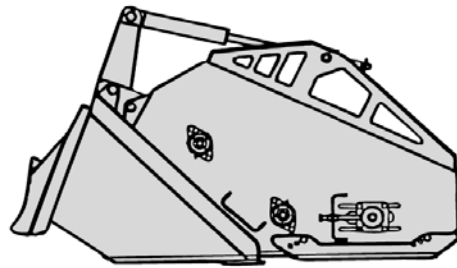


Quick Specs

	<u>72" Deluxe</u>
Operating Weight.....	680 lbs
Length.....	51.5"
Width.....	73"
Height.....	20.9"
Working Depth-Scarifier.....	3.5"
Cutting Edge.....	0.5" x 6"

Part Number	Description	Attachment	Retail Price in US \$	Labor
(5600, 5610) (UW56, UW53) 6906150	72" Deluxe Landplane Leveling Attachment..... (Includes expanded metal grate, scarifier assembly, teeth and respective hardware)		\$2,711.39	\$0.00

**Landscape Rake
Bobcat Work Machine Attachment**

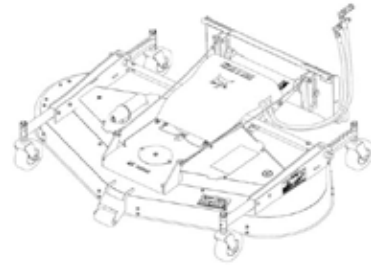


Quick Specs

Operating Weight.....	1109 lbs
Working Width.....	60"
Overall Width.....	66.6"
# of Tooth Bars.....	12
# of Teeth (total).....	384
Bucket Capacity.....	12.1 cu. ft.

Part Number	Description	Attachment	Retail Price in US \$	Labor
(5600, 5610) (UW56, UW53) 6709107	5B Landscape Rake..... (Not approved for A-Series or B-Series) (Approved for use with 5600 s/n A00211001 & above, 5600 s/n A00311001 & above, 5600 s/n A0W111001 & above, 5600 s/n A94Y11001 & above, 5610 A7Y711001 & above and 5610 APFB11001 & above)		\$9,911.75	\$270.00

**Mower
Bobcat Work Machine Attachment**



Quick Specs

	<u>72" Mower</u>	<u>90" Mower</u>
Operating Weight.....	880 lbs	990 lbs
Cutting Width.....	71.5"	89.5"
Overall Width.....	76"	94"
Overall Length.....	68"	75"
Cutting Height Range.....	2"—5.5"	2"—5.5"
Flow Range.....	15—22 gpm	15—22 gpm
Number of Blades.....	3	3
Shut-off Travel.....	8.5"	8.5"
Blade Tip Speeds.....	11,251 ft/min @ 15 GPM 15,002 ft/min @ 20 GPM 16,502 ft/min @ 22 GPM	11,026 ft/min @ 15 GPM 14,702 ft/min @ 20 GPM 16,172 ft/min @ 22 GPM

Part Number	Description	Attachment	Retail Price in US \$	Labor
(5600, 5610) (UW56, UW53) 7144850	72" Mower.....		\$7,258.00	\$0.00

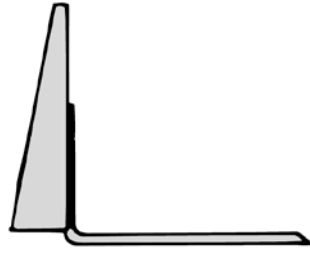
Prices and Specifications
Subject to Change Without Notice

Work Machine Attachments
All Prices in U.S Dollars

North American Suggested List Prices
2021 Price Book
Page 159 of 189

7143993 90" Mower..... \$7,940.75 \$0.00

**Pallet Fork, Hydraulic
Bobcat Work Machine Attachment**

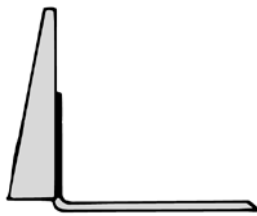


Quick Specs

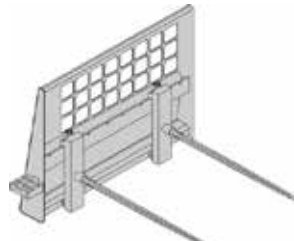
Ship Weight (Frame & Forks)..... 48" 565 lbs
Fork Width..... 4"

Part Number	Description	Attachment	Retail Price in US \$	Labor
6905425	48" Hydraulic Pallet Fork..... (Includes back frame and 2 hydraulically adjustable 48" teeth)		\$3,774.65	\$0.00

**Pallet Fork, Standard
Bobcat Work Machine Attachment**



Standard Pallet Fork Teeth and Frame



Bale Forks and Frame

Quick Specs

Pallet Fork Frame
Operating Weight..... 200 lbs

Ship Weight (set of 2)..... 36" 147 lbs 42" 164 lbs 48" 181 lbs Bale Forks 119 lbs
Fork Width..... 4" 4" 4"

Part Number	Description	Attachment	Retail Price in US \$	Labor
-------------	-------------	------------	-----------------------	-------

A new ordering method will be required for bundles of buckets and pallet forks. Instead of ordering a different part number for a bundled product, you will simply use the single part number and the 'Change Quantity' box in OSS to order the quantity that meets the requirement for a bundle discount. The OSS order system will help step you through it and alert you if the product you are ordering can be bundled, what quantity needs to be ordered to get the discount, and what the discounted price will be. \$0.00

(5600, 5610) (UW56, UW53)
6712927 Pallet Fork Frame, less teeth..... \$482.00 \$0.00
(Bundled discounts will be given on invoice to PN 6712927 when ordered in multiples of 10)

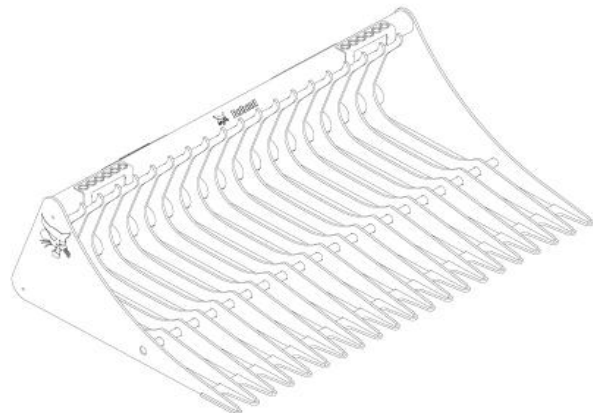
Bale Forks

6815781 Bale Forks, Set of 2..... \$1,006.94 \$0.00

Pallet Fork Teeth

6540184 36" Pallet fork Teeth, set of 2..... \$425.24 \$0.00
6540183 42" Pallet fork Teeth, set of 2..... \$444.41 \$0.00
(Bundled discounts will be given on invoice to PN 6540183 when ordered in multiples of 10)
6540182 48" Pallet fork Teeth, set of 2..... \$455.12 \$0.00
(Bundled discounts will be given on invoice to PN 6540182 when ordered in multiples of 10)

**Rock Bucket
Bobcat Work Machine Attachment**

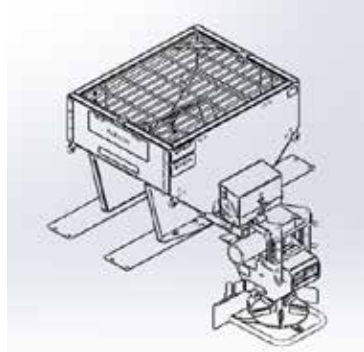


Quick Specs

	<u>62"</u>	<u>68"</u>
Operating Weight.....	558 lbs	605 lbs
Overall Width.....	61.9"	68.6"
Overall Height.....	20.8"	20.8"
Overall Length (Bucket Lip or Bottom of Bucket)....	43.6"	43.6"
Tine Spacing.....	3"	3"
Number of Tines.....	17	19

Part Number	Description	Attachment	Retail Price in US \$	Labor
(5600, 5610) (UW56, UW53)				
7185941	62" Rock Bucket.....		\$2,244.37	\$0.00
7185943	68" Rock Bucket.....		\$2,345.96	\$0.00

**Sand/Salt Spreader
Bobcat Work Machine Attachment**

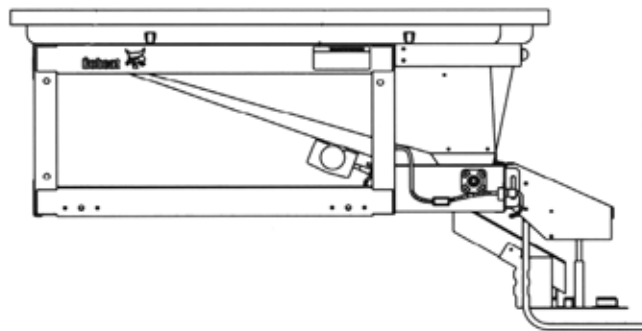


Quick Specs

Operating Weight (empty).....	212 lbs
Operating Weight.....	1292 lbs
Height.....	34"
Width.....	38"
Length.....	52.75"
Hopper Capacity.....	13.45 cu. ft.
Spreading Pattern.....	up to 30'
Speed Control.....	Variable Speed Control Dial
Spinner Wheel.....	12"

Part Number	Description	Attachment	Retail Price in US \$	Labor
(UW56)				
7453395	SP13 Sand/Salt Spreader..... (Includes controller, wire harness and all necessary mounting hardware)		\$6,398.03	\$520.00

**Sand/Salt Spreader
Bobcat Work Machine Attachment**

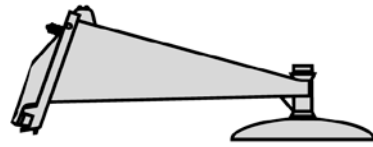


Quick Specs

Operating Weight (empty).....	325 lbs
Height.....	44.7"
Width.....	48.5"
Length.....	78.5"
Hopper Capacity.....	13.5 cu. Ft.
Spreading Pattern.....	5 to 40 ft
Speed Control.....	Variable Speed Control Dial
Spinner Wheel.....	12"

Part Number	Description	Attachment	Retail Price in US \$	Labor
(5600)				
7101567	Sand/Salt Spreader..... (Includes controller, wire harness, vibrator and all necessary mounting hardware)		\$5,797.00	\$0.00

**Scraper
Bobcat Work Machine Attachment**

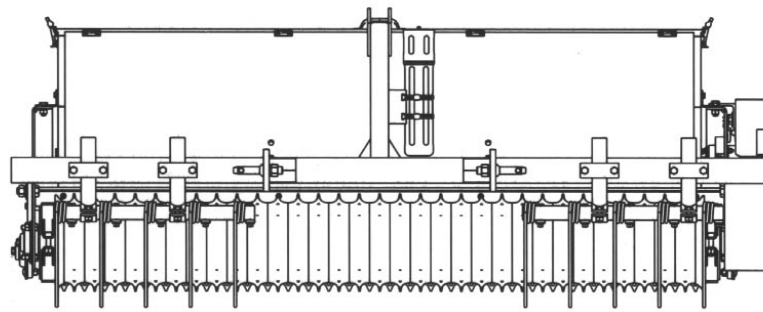


Quick Specs

Operating Weight..... 172 lbs
Height..... 19"
Width..... 45"
Length..... 55"
Disk Diameter..... 22"

Part Number	Description	Attachment	Retail Price in US \$	Labor
(5600, 5610) (UW56, UW53) 6675211	Scraper.....		\$1,525.35	\$0.00

**Seeder
Bobcat Work Machine Attachment**



Quick Specs

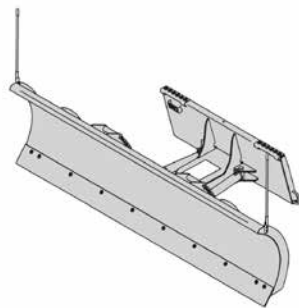
Weight (empty)..... 1,300 lbs
Weight (full)..... 1,425 lbs
Height..... 44.0"
Overall Width..... 88.0"
Working Width..... 72.0"
Length..... 43.0"
Hopper Capacity..... 4.0 bushels

Part Number	Description	Attachment	Retail Price in US \$	Labor
(5600, 5610) (UW56, UW53) 7167712	Seeder, 72", 3PT Mounting..... (Must also order Bob-Tach adapter if used on front of Work Machine equipped with a Bob-Tach)		\$9,067.05	\$0.00

Part Number	Description	Factory Installed Options	Retail Price in US \$	Labor
7167758	Bob-Tach Adapter..... (Allows Seeder to mount on Bob-Tach equipped machines)		\$1,058.35	\$0.00

Part Number	Description	Dealer Installed Accessories - Order From Sales	Retail Price in US \$	Labor
7167759	Bob-Tach Adapter..... (Allows Seeder to mount on Bob-Tach equipped machines)		\$930.54	\$0.00

**Snow Blade
Bobcat Work Machine Attachment**



Quick Specs

	<u>72"</u>	<u>84"</u>	<u>96"</u>	<u>86" HD</u>	<u>96" HD</u>
Operating Weight.....	590 lbs	620 lbs	660 lbs	809 lbs	867 lbs
Width.....	72"	84"	96"	86"	96"
Height.....	28"	28"	28"	28.4"	28.4"
Working Width (Fully Angled).....	63"	73"	83"	75"	83"
Steel Cutting Edge.....	.375" x 6"	.375" x 6"	.375" x 6"	.5" x 6"	.5" x 6"
Cylinders.....	2	2	2	1	1
Trip Springs.....	4	4	4	4	4

Prices and Specifications
Subject to Change Without Notice

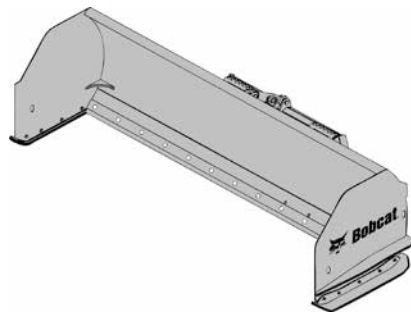
Work Machine Attachments
All Prices in U.S Dollars

North American Suggested List Prices
2021 Price Book
Page 162 of 189

Optional Rubber Cutting Edge..... 1" x 6" 1" x 6" 1" x 6" 1" x 6" 1" x 6"

Part Number	Description	Attachment	Retail Price in US \$	Labor
(5600, 5610) (UW56, UW53)				
6905156	72" Snow Blade (with hydraulic angle).....		\$3,021.28	\$0.00
6716836	84" Snow Blade (with hydraulic angle).....		\$3,224.56	\$0.00
6716838	96" Snow Blade (with hydraulic angle).....		\$3,495.25	\$0.00
7207861	86" Snow Blade – Heavy Duty (with hydraulic angle).....		\$5,011.90	\$0.00
7207862	96" Snow Blade – Heavy Duty (with hydraulic angle).....		\$5,309.80	\$0.00

**Snow Pusher
Bobcat Work Machine Attachment**



Quick Specs

8 Foot
 Operating Weight..... 1122 lbs
 Overall Width..... 102"
 Working Width..... 94.6"
 Length..... 56.2"
 Height..... 37.8"
 Cutting Edge..... 1.5" x 8" Rubber
 Skid Shoes..... .75" x 5" AR400
 Color..... Orange

Float
 Vertical..... 2.3"
 Tilt..... 12 degrees
 Oscillation..... +/- 4.5 degrees

Part Number	Description	Attachment	Retail Price in US \$	Labor
(5600, 5610) (UW56, UW53)				
7113767	Snow Pusher, 8'		\$3,986.71	\$0.00

**Snow Pusher Pro
Bobcat Work Machine Attachment**



Quick Specs

72"
 Operating Weight..... 1272 lbs
 Overall Width..... 80"
 Working Width..... 72"
 Length (includes interface)..... 70.7"
 Height..... 40"
 Cutting Edge (High Carbon Steel)..... 5/8" x 6"
 Skid Shoes (Poly)..... .36" x 9.75" x 1.5"
 Number of Trip Springs..... 4
 Color..... Orange

Float
 Tilt..... 35 degrees
 Oscillation..... +/- 6 degrees

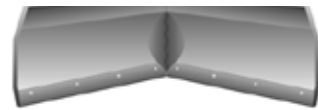
Part Number	Description	Attachment	Retail Price in US \$	Labor
(5600, 5610) (UW56, UW53)				
7406869	72" Snow Pusher Pro.....		\$9,168.15	\$0.00

**Snow V-Blade
Bobcat Work Machine Attachment**

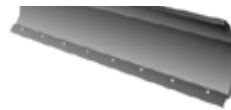




Blade in "V" Configuration



Blade in "Scoop" Configuration



Blade in "Angled" Configuration

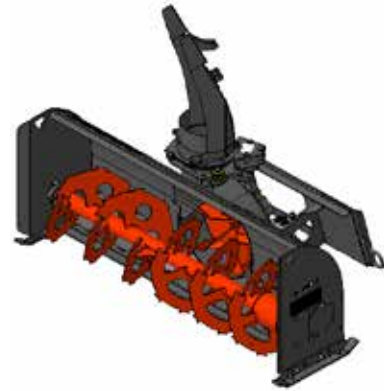
Quick Specs

	<u>60"</u>	<u>72"</u>	<u>84"</u>	<u>96"</u>
Operating Weight.....	660 lbs	738 lbs	779 lbs	824 lbs
Operating Weight with Oscillating kit.....	N/A	972 lbs	1013 lbs	1058 lbs
Width:				
V-Configuration.....	54"	64.5"	75"	85.5"
Scoop-Configuration.....	53"	63"	74"	84"
30° Angle-Configuration.....	54"	64"	75"	85"
Straight-Configuration.....	62"	74"	86"	98"
Height with Blade Extension.....	28.5"	32.8"	32.8"	32.8"
Length.....	40"	47.3"	47.3"	47.3"
Oscillation (with flotation kit).....	N/A	+/- 10	+/- 10	+/- 10

Part Number	Description	Attachment	Retail Price in US \$	Labor
(5600, 5610) (UW56, UW53)				
7104861	60" Snow V-Blade.....		\$5,329.31	\$0.00
	(Work Machine must be equipped with a 7-Pin Attachment Control Kit) (Blade is equipped with fingertip 7-Pin Control) (Adjustable blade width from 53-60 inches)			
6958576	72" Snow V-Blade.....		\$5,601.11	\$0.00
	(Work Machine must be equipped with a 7-Pin Attachment Control Kit) (A 14-Pin T-Harness Kit is required when used on work machine equipped with a 14-Pin Attachment Control Kit – See Page 1)			
6958577	84" Snow V-Blade.....		\$5,869.70	\$0.00
	(Work Machine must be equipped with a 7-Pin Attachment Control Kit) (A 14-Pin T-Harness Kit is required when used on work machine equipped with a 14-Pin Attachment Control Kit – See Page 1)			
6958578	96" Snow V-Blade.....		\$6,139.30	\$0.00
	(Work Machine must be equipped with a 7-Pin Attachment Control Kit) (A 14-Pin T-Harness Kit is required when used on work machine equipped with a 14-Pin Attachment Control Kit – See Page 1)			

Snowblower

Bobcat Work Machine Attachment



Quick Specs

	<u>SB32 x 60"</u>	<u>SB32 x 68"</u>	<u>SB32 x 74"</u>	<u>SB32 x 80"</u>
Chute Rotation.....	270°	270°	270°	270°
Deflector Control.....	Hydraulic	Hydraulic	Hydraulic	Hydraulic
Throw Distance.....	Up to 40'	Up to 40'	Up to 40'	Up to 40'
Flow Range.....	13-31 GPM	13-31 GPM	13-31 GPM	13-31 GPM
Fan Diameter.....	19.5"	19.5"	19.5"	19.5"
Auger Diameter.....	20"	20"	20"	20"
Length.....	61.5"	69.5"	75.5"	81.5"
Width.....	45"	45"	45"	45"
Intake Height.....	33"	33"	33"	33"
Max Pressure.....	3400 psi	3400 psi	3400 psi	3400 psi
Operating Weight.....	920 lbs	941 lbs	981 lbs	1016 lbs

SB32 Hydraulic Motor Packages

100cc Motor Package.....	17-21 gpm
160cc Motor Package.....	26-31 gpm

Part Number	Description	SB32 Snowblower	Retail Price in US \$	Labor
<i>Work Machine must be equipped with a 7-pin Attachment Control Kit.</i>				
(5600, 5600H, 5610) (UW56, UW56H, UW53)				
M7046	SB32 x 60" Snowblower.....		\$6,748.14	\$0.00
M7046-R01-C02	100cc Motor Package.....		\$1,022.00	\$0.00
	(5600)			
M7046-R01-C04	160cc Motor Package.....		\$1,097.00	\$0.00
	(5600H, 5610)			
(5600, 5600H, 5610) (UW56, UW56H, UW53)				
M7047	SB32 x 68" Snowblower.....		\$6,913.39	\$0.00

Prices and Specifications
Subject to Change Without Notice

Work Machine Attachments
All Prices in U.S Dollars

North American Suggested List Prices
2021 Price Book
Page 164 of 189

M7047-R01-C02	100cc Motor Package..... (5600)	\$1,022.00	\$0.00
M7047-R01-C04	160cc Motor Package..... (5600H, 5610)	\$1,097.00	\$0.00

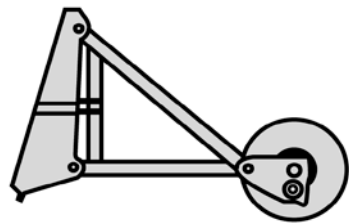
(5600, 5600H, 5610) (UW56, UW56H, UW53)

M7045	SB32 x 74" Snowblower.....	\$7,177.50	\$0.00
M7045-R01-C02	100cc Motor Package..... (5600)	\$1,022.00	\$0.00
M7045-R01-C04	160cc Motor Package..... (5600H, 5610)	\$1,097.00	\$0.00

(5600, 5600H, 5610) (UW56, UW56H, UW53)

M7048	SB32 x 80" Snowblower.....	\$7,381.94	\$0.00
M7048-R01-C02	100cc Motor Package..... (5600)	\$1,022.00	\$0.00
M7048-R01-C04	160cc Motor Package..... (5600H, 5610)	\$1,097.00	\$0.00

**Sod Layer
Bobcat Work Machine Attachment**

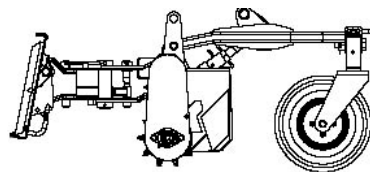


Quick Specs

Operating Weight.....	596 lbs
Length.....	49.1"
Width (maximum overall).....	73.0"
Height.....	31.0"
Sod Roll Widths.....	24.0" – 48.0"
Maximum Diameter Sod Roll.....	50.0"
Arm Cylinders (2).....	2.0" X 1.0" X 18.5" Stroke
Relief Vaule Setting.....	400 psi

Part Number	Description	Attachment	Retail Price in US \$	Labor
(5600, 5610) (UW56, UW53)				
6906783	Sod Layer.....		\$5,019.50	\$0.00
	(Not approved for A-Series or B-Series) (Approved for use with 5600 s/n A00211001 & above, 5600 s/n A00311001 & above, 5600 s/n A0W111001 & above, 5600 s/n A94Y11001 & above, 5610 A7Y711001 & above and 5610 APFB11001 & above)			

**Soil Conditioner
Bobcat Work Machine Attachment**



Quick Specs

	<u>72-in Man.</u>	<u>72-in Hyd.</u>	<u>72-in HF.</u>	<u>84-in Hyd.</u>	<u>84-in HF.</u>
Overall Length.....	67.9"	67.9"	67.9"	67.9"	67.9"
Overall Width.....	86.2"	86.2"	86.2"	98.2"	98.2"
Working Width – Fully Angled.....	65.0"	65.0"	65.0"	76.0"	76.0"
Degree of Angle Left or Right.....	25°	25°	25°	25°	25°
Number of Teeth.....	121	121	121	141	141
Operating Weight.....	1110 lbs.	1110 lbs.	1110 lbs.	1268 lbs.	1269 lbs.
Hydraulic Requirements.....	13-37 gpm	13-37 gpm	25-37 gpm	18-37 gpm	30-37 gpm
Tires.....	Pneumatic	Foam-Filled	Foam-Filled	Foam-filled	Foam-filled
Float or Lock Position.....	Both	Both	Both	Both	Both
Depth Adjustment.....	Manual	Hydraulic	Hydraulic	Hydraulic	Hydraulic
Angle Adjustment.....	Manual	Hydraulic	Hydraulic	Hydraulic	Hydraulic

Part Number	Description	Attachment	Retail Price in US \$	Labor
(5600, 5600H, 5610) (UW56, UW56H, UW53)				
6906513	72" Soil Conditioner, Manual Angle.....		\$10,956.52	\$0.00
7135945	72" Soil Conditioner, Hydraulic Angle and Depth.....		\$11,905.66	\$0.00
	(Loader must be equipped with an Attachment Control Kit)			
7135946	84" Soil Conditioner, Hydraulic Angle.....		\$12,589.51	\$0.00
	(Loader must be equipped with an Attachment Control Kit)			

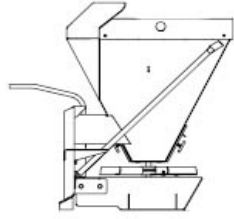
Prices and Specifications
Subject to Change Without Notice

Work Machine Attachments
All Prices in U.S Dollars

North American Suggested List Prices
2021 Price Book
Page 165 of 189

(5600H, 5610) (UW56, UW56H, UW53)			
7135944	72" Soil Conditioner, High Flow Hydraulic Angle and Depth	\$12,316.63	\$0.00
	(Loader must be equipped with an Attachment Control Kit)		
7135947	84" Soil Conditioner, High Flow Hydraulic Angle and Depth	\$13,137.47	\$0.00
	(Loader must be equipped with an Attachment Control Kit)		

Spreader
Bobcat Work Machine Attachment

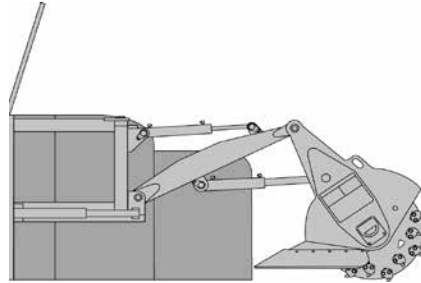


Quick Specs

Operating Weight with Loader Mount (empty).....	387 lbs
Height.....	40.9"
Width.....	54.4"
Hopper Capacity	
Top of Hopper.....	9.6 Cu. ft.
Bottom of Grate.....	7.6 Cu. ft.
Spreading Pattern.....	18.4 @ 1500 RPM
Spreading Pattern.....	22.6 @ 2000 RPM
Spreading Pattern.....	28.4 @ 2500 RPM
Speed Control.....	Dial control
Motor.....	Hydraulic
Spinner Wheel.....	18" diameter
Maximum Hydraulic Flow.....	22 GPM

Part Number	Description	Attachment	Retail Price in US \$	Labor
(5600, 5610) (UW56, UW53)				
7157284	HS8 Spreader		\$4,634.66	\$0.00

Stump Grinder
Bobcat Work Machine Attachment



Quick Specs

	<u>SG60</u>
Operating Weight.....	980 lbs
Flow Range.....	17-32 gpm
Overall Length.....	45"
Overall Transport Length.....	65.8"
Overall Height.....	59.4"
Wheel Diameter.....	27"
Number of Teeth.....	32
Grinder Reach @ Ground Level.....	74"
Maximum Cutting Height.....	32"
Maximum Cutting Depth.....	15"
Maximum Cutting Arc.....	80°

Part Number	Description	Attachment	Retail Price in US \$	Labor
(5600, 5600H, 5610) (UW56, UW56H, UW53)				
6808034	SG60 Stump Grinder		\$11,704.52	\$0.00
	(Work Machine must be equipped with a 7-Pin Attachment Control Kit) (A 14-Pin T-Harness Kit is required when used on work machine equipped with a 14-Pin Attachment Control Kit – See Page 1)			

Sweeper
Bobcat Work Machine Attachment



Quick Specs

Operating Weight.....	888 lbs
-----------------------	---------

Sweep Width.....	60"
Overall Attachment Width.....	66
Bucket Capacity.....	8.7 cu. Ft.
Broom Diameter.....	26.3"
Bristle Sections (Included).....	30
Bristle Material.....	Replaceable Polypropylene sections (steel available)
Cutting Edge (Repl. Steel).....	5/8" x 6"
Broom RPM @ 12 GPM.....	##
Hydraulic Flow Range.....	16.0-23.0 GPM
Travel.....	Forward/Reverse

Part Number	Description	Attachment	Retail Price in US \$	Labor
(5600, 5610) (UW56, UW53)				
7418328	60" Sweeper		\$5,278.28	\$0.00
(Not approved for A-Series or B-Series) (Approved for use with 5600 s/n A00211001 & above, 5600 s/n A00311001 & above, 5600 s/n A0W111001 & above, 5600 s/n A94Y11001 & above, 5610 A7Y711001 & above and 5610 APFB11001 & above)				

Part Number	Description	Attachment	Retail Price in US \$	Labor
Dealer Installed Accessories - Order From Sales				
7419388	Gutter Brush		\$2,455.92	\$270.00
(Add-on to the 60" Sweepers) (Includes hoses, couplers, steel bristles, mounting frame, hardware and control valve) (Estimated install time 2 hours) (Ship Weight 150 lbs.)				

**Three-Point Hitch Adapter
Bobcat Work Machine Attachment**

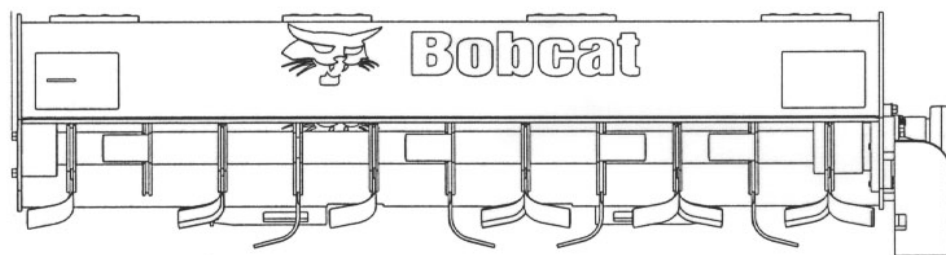


Quick Specs

Operating Weight.....	272 lbs
Mounting Frame.....	Mounts to category "I and II" Three-Point Hitch implements that meet the ASAE standard for quick hitch.
Overall Width.....	46"

Part Number	Description	Attachment	Retail Price in US \$	Labor
(5600, 5610) (UW56, UW53)				
7110394	Three-Point Hitch Adapter, Category "I and II"		\$1,241.55	\$270.00
(Quick-tach connection to Three-Point Hitch implements to convert to Bob-Tach™) (Includes 2" receiver for moving trailers)				

**Tiller
Bobcat Work Machine Attachment**



Quick Specs

	<u>62"</u>	<u>76"</u>
Operating Weight.....	660 lbs	749 lbs
Working Width.....	62.1"	75.4"
Overall Width.....	70.8"	84.4"
Tines.....	36	44
Working Depth.....	6" maximum	6" maximum
Tine Rotation.....	Bi-rotational	Bi-rotational
Drive.....	Direct Drive	Direct Drive
Travel Direction.....	Forward/Reverse	Forward/Reverse
Flow Range.....	17-40 GPM	17-40 GPM
Skid Shoe.....	Optional	Optional

Part Number	Description	Attachment	Retail Price in US \$	Labor
(5600, 5600H, 5610) (UW56, UW56H, UW53)				
7104371	62" Rotary Tiller		\$6,321.97	\$0.00

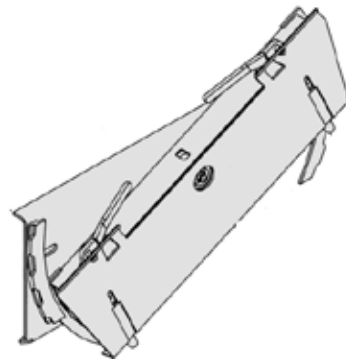
Prices and Specifications
Subject to Change Without Notice

Work Machine Attachments
All Prices in U.S Dollars

North American Suggested List Prices
2021 Price Book
Page 167 of 189

(5600*, 5600H, 5610) (UW56, UW56H, UW53)			
7102125	76" Rotary Tiller.....	\$7,461.27	\$0.00
	(*Not approved on A-Series 5600, s/n prefix 5205)		

**Tilt-Tatch
Bobcat Work Machine Attachment**



Quick Specs

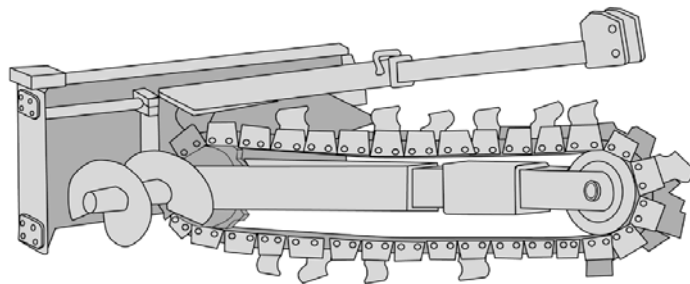
Operating Weight.....	320 lbs
Height.....	20.4"
Width.....	48"
Length.....	4.3"
Oscillation.....	± 15°
Cylinders.....	1

Part Number	Description	Attachment	Retail Price in US \$	Labor
-------------	-------------	------------	-----------------------	-------

(5600, 5610) (UW56, UW53)			
7101600	Tilt-Tatch.....	\$3,144.13	\$0.00
	(Interface between the work machine's Bob-Tach and non-hydraulic attachments)		

Note: Use of Tilt-Tatch will reduce Operating Capacity and Tip Load by approximately 20%. See the Tilt-Tatch Operator's Manual for New Load Ratings.
Note: Tilt-Tatch can be used with non-hydraulic attachments only.

**Trencher
Bobcat Work Machine Attachment**



Quick Specs

	<u>LT213</u>
Operating Weight (without teeth).....	725 lbs
Flow Range.....	11-18 gpm
Maximum Operating Pressure.....	3300 psi
Frame Width (std. equipment).....	56"
Trenching Widths Available.....	4" to 8"
Side Shift Travel.....	23.1"
Auger Diameter.....	12"
Auger Clearance.....	13.8-15.8"
Dig Depth @ 60 degrees.....	3'
Overall Length.....	74"
Standard Boom Length.....	52.5"

Part Number	Description	LT213 Trencher Attachment	Retail Price in US \$	Labor
-------------	-------------	---------------------------	-----------------------	-------

(5600, 5610) (UW56, UW53)			
M7013	LT213 Trencher.....	\$5,005.39	\$0.00
	(Includes 3' depth, manual sideshift, trench cleaner) (Can only order one factory installed chain option per trencher model)		

LT213 Chain Configuration Options (Factory Installed)
Chains are 1.654" Double Standard (DS) Anti-Back Flex (ABF)

M7013-R01-C02	3' x 4" Cup Teeth, Single Standard Pattern.....	\$593.61	\$0.00
M7013-R01-C04	3' x 6" Cup Teeth, Single Standard Pattern.....	\$633.83	\$0.00
M7013-R01-C01	3' x 4" Cup Teeth, Double Standard Pattern.....	\$676.24	\$0.00
M7013-R01-C03	3' x 4" Cup & Carbide Teeth, Double Standard Pattern.....	\$1,384.00	\$0.00
M7013-R01-C06	3' x 4" Shark/Cup Teeth in Double Standard Pattern.....	\$1,113.30	\$0.00
M7013-R01-C07	3' x 6" Shark/Cup Teeth in Double Standard Pattern.....	\$1,294.87	\$0.00

Part Number	Description	Dealer Installed Accessories - Order From Sales	Retail Price in US \$
-------------	-------------	---	-----------------------

LT213 Chain Configuration Accessories (Replacement Chain - Dealer Installed)

Prices and Specifications
Subject to Change Without Notice

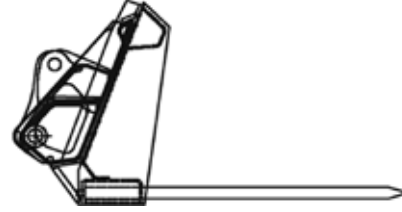
Work Machine Attachments
All Prices in U.S Dollars

North American Suggested List Prices
2021 Price Book
Page 168 of 189

Chains are 1.654" Double Standard (DS) Anti-Back Flex (ABF)

6959317	3' x 4" Cup Teeth, Single Standard Pattern..... (Ship Weight 100 lbs.)	\$805.00	\$0.00
6959335	3' x 6" Cup Teeth, Single Standard Pattern..... (Ship Weight 113 lbs.)	\$850.46	\$0.00
6959321	3' x 4" Cup Teeth, Double Standard Pattern..... (Ship Weight 115 lbs.)	\$900.63	\$0.00
6959319	3' x 4" Cup & Carbide Teeth, Double Standard Pattern..... (Ship Weight 115 lbs.)	\$1,749.85	\$0.00
7209864	3' x 4" Shark/Cup Teeth, Double Standard Pattern.....	\$1,177.82	\$0.00
7209865	3' x 6" Shark/Cup Teeth, Double Standard Pattern.....	\$1,376.03	\$0.00

**Utility Forks
Bobcat Work Machine Attachment**

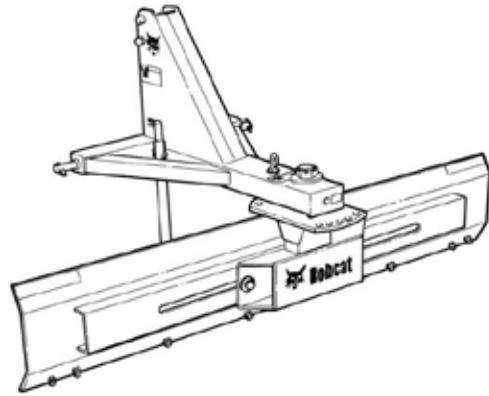


Quick Specs

	<u>60"</u>	<u>66"</u>	<u>72"</u>
Operating Weight.....	304 lbs	330 lbs	356 lbs
Number of teeth shipped.....	8	9	10
max number of teeth.....	15	17	19

Part Number	Description	Attachment	Retail Price in US \$	Labor
(5600, 5610) (UW56, UW53)				
6725178	60" Utility fork, with 8 Teeth..... (Use with Farm/Utility grapple P/N 7176977)		\$1,646.02	\$0.00
6725179	66" Utility fork, with 9 Teeth..... (Use with Farm/Utility grapple P/N 7176977)		\$1,925.45	\$0.00
6725180	72" Utility fork, with 10 Teeth..... (Use with Farm/Utility grapple P/N 7176977)		\$2,027.04	\$0.00

**Angle Blade
Bobcat Work Machine Attachment**



Quick Specs

	<u>AB72</u>	<u>AB84</u>
Moldboard (Working) Width.....	72"	84"
Moldboard Thickness.....	0.25"	0.25"
Moldboard (Blade) Height.....	15"	15"
Cutting Edge Height.....	6"	6"
Cutting Edge (thickness).....	.5" reversible	.5" reversible
Operating Weight.....	332 lbs.	348 lbs.
Overall Height.....	38"	38"
Overall Length.....	40"	40"
Storage Stand.....	Yes	Yes
Blade Positions Forward.....	5	5
Blade Positions Rearward.....	5	5
3pt. Hitch Size.....	Category 1	Category 1

Part Number	Description	Implement	Retail Price in US \$	Labor
(5610) (UW53)				
7365493	3 Pt. Angle Blade 72", 3AB72		\$939.34	\$0.00
7366558	3 Pt. Angle Blade 84", 3AB84.....		\$1,038.27	\$0.00

**Auger
Bobcat Work Machine Attachment**





Quick Specs

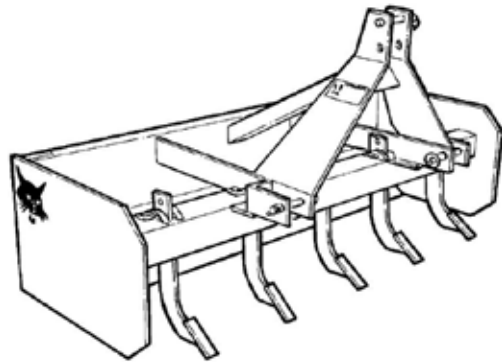
Auger 3PT
 Drive Type..... Gearbox
 Tractor PTO Speed..... 540 RPM
 Three-Point Hitch..... Category 1
 Auger Shaft Diameter..... 2"
 Tractor PTO Horsepower (max)..... 60
 Drive Line Protection..... Shear Bolt

Auger Bit Diameter	6 in.	9 in.	12 in.
Cutting Diameter ¹	7.5 in.	10.5 in.	13.5 in.

¹Standard cutting diameter, auger teeth are positioned at a 40° angle for general purpose cutting

Part Number	Description	Implement	Retail Price in US \$	Labor
(5610) (UW53) 7365497	3 Pt. Auger, 3PT..... (Includes drive units, drive shaft, and frame) (Auger bits must be ordered from parts)		\$1,070.88	\$0.00

**Box Blade
Bobcat Work Machine Attachment**

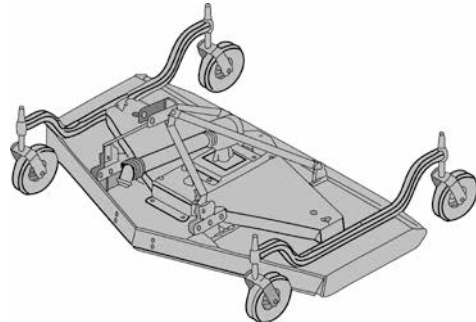


Quick Specs

	<u>BB60</u>	<u>BB72</u>
Working Width.....	61.5"	73.5"
Total Height.....	33"	33"
Cutting Edge Height.....	6"	6"
Cutting Edge Thickness.....	3/8"	3/8"
Number of Cutting Edges.....	Two (reversible)	Two (reversible)
Number of Digging Shanks.....	5	6
Scarifying Shank Penetration (Max).....	1-4"	1-4"
Shank Depth Adjustment.....	Manual	Manual
Operating Weight.....	395 lbs	445 lbs
3pt. Hitch Size.....	Category 1	Category 2

Part Number	Description	Implement	Retail Price in US \$	Labor
(5610) (UW53) 7365525	3 Pt. Box Blade 60", 3BB60.....		\$906.73	\$0.00
7365527	3 Pt. Box Blade 72", 3BB72		\$1,120.90	\$0.00

**Finish Mower
Bobcat Work Machine Attachment**



Quick Specs

	<u>FM60</u>	<u>FM72</u>
Cutting Width.....	60"	72"
Overall Width.....	62"	74"
Overall Length.....	43"	43"
Cutting Height Range.....	1-4.5"	1-4.5"

Number of Blades.....	3	3
Discharge.....	Rear	Rear
Tractor Requirements (PTO).....	23-32 hp	32-45 hp
Gear Box.....	Closed (540 RPM)	Closed (540 RPM)
3pt. Hitch Size.....	Cat 1	Cat 1
Weight.....	440 lbs	500 lbs

Part Number	Description	Implement	Retail Price in US \$	Labor
(5610) (UW53)				
7366574	3 Pt. Mower 60", FM60..... -Used with three-point hitch and rear PTO		\$2,966.86	\$0.00
7366578	3 Pt. Mower 72", FM72..... -Used with three-point hitch and rear PTO		\$3,626.80	\$0.00

**Quick Hitch
Bobcat Work Machine Attachment**

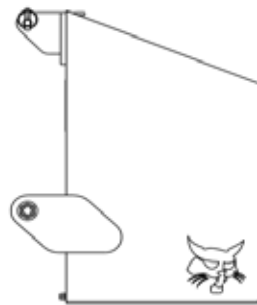


Quick Specs

Overall Width.....	30.25"
Overall Height.....	23"
Overall Depth.....	8.25"
Empty Weight.....	73 lbs
Maximum PTO HP.....	50
Three-Point Hitch.....	Category 1

Part Number	Description	Implement	Retail Price in US \$	Labor
(5610) (UW53)				
7376709	Quick Hitch.....		\$280.50	\$0.00

**Rear Ballast
Bobcat Work Machine Attachment**



Quick Specs

Overall Width.....	35.5"
Overall Height.....	29"
Empty Weight.....	230 lbs.
Maximum Weight – Full.....	880 lbs.
Three-Point Hitch.....	Category 1

Part Number	Description	Implement	Retail Price in US \$	Labor
(5610) (UW53)				
7366584	Rear Ballast Box.....		\$617.52	\$0.00

**Rotary Cutter
Bobcat Work Machine Attachment**



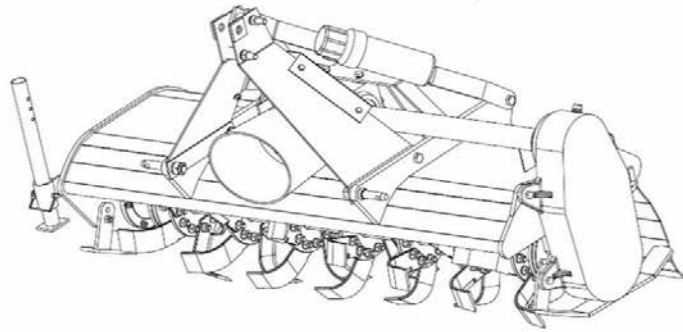
Quick Specs

	<u>RC60</u>	<u>RC72</u>
Cutting Width.....	60"	72"
Overall Width.....	63"	75"

Overall Length.....	86"	93"
Cutting Height.....	1.5" - 9"	1.5" - 9"
Deck Type.....	Single	Single
Deck Thickness.....	12 ga.	12 ga.
Number of Blades.....	2	2
Blade Tip Speed.....	12,478 FPM	14,974 FPM
Discharge.....	Rear	Rear
Weight.....	530 lbs.	623 lbs.
Tractor PTO Requirements.....	20-50 hp	25-65 hp
	540 RPM	540 RPM
3pt. Hitch Size.....	Category 1	Category 1
Drive Line Protection.....	Shear bolt	Shear bolt

Part Number	Description	Implement	Retail Price in US \$	Labor
(5610) (UW53)				
7365545	3 Pt. Rotary Cutter 60", (3RC60).....		\$1,977.61	\$0.00
	*It is recommended to operate RC with front-end loader installed for stability.			
7365693	3 Pt. Rotary Cutter 72", (3RC72).....		\$2,224.40	\$0.00
	*It is recommended to operate RC with front-end loader installed for stability.			

Tiller
Bobcat Work Machine Attachment

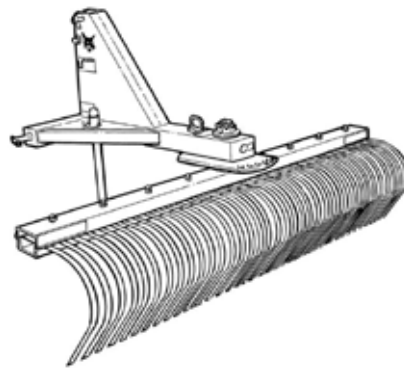


Quick Specs

	<u>Tiller 3PT 60</u>
Tilling Width.....	60"
Overall Width.....	64"
Working Depth.....	1" - 7" Adjustable
Operating Weight.....	638 lbs.
Drive Type.....	Gear Driven Oil-Bath
Blades Per Flange.....	6
Total Blades.....	42
Tractor PTO Requirements.....	25-50 540 RPM
Three-Point Hitch.....	Category 1
Drive Line Protection.....	Slip-Clutch
Storage Stand.....	Yes
Skid Shoes.....	Adjustable/Replaceable

Part Number	Description	Implement	Retail Price in US \$	Labor
(5610) (UW53)				
7365793	3 Pt. Tiller 60".....		\$2,390.66	\$0.00

Tine Rake
Bobcat Work Machine Attachment



Quick Specs

	<u>3TR72</u>	<u>3TR84</u>
Working/Overall Width.....	72"	84"
Overall Length.....	42"	42"
Overall Height.....	39"	39"
Operating Weight.....	272 lbs.	287 lbs.
Rake Positions Forward.....	5	5
Rake Positions Rearward.....	5	5
3pt. Hitch Size.....	Category 1	Category 1

Part Number	Description	Implement	Retail Price in US \$	Labor
(5610) (UW53)				

7365541	3 Pt. Tine Rake 72", 3TR72.....	\$988.25	\$0.00
7366562	3 Pt. Tine Rake 84", 3TR84.....	\$1,070.88	\$0.00